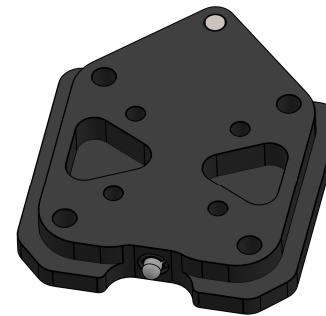
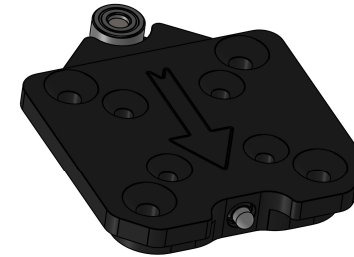
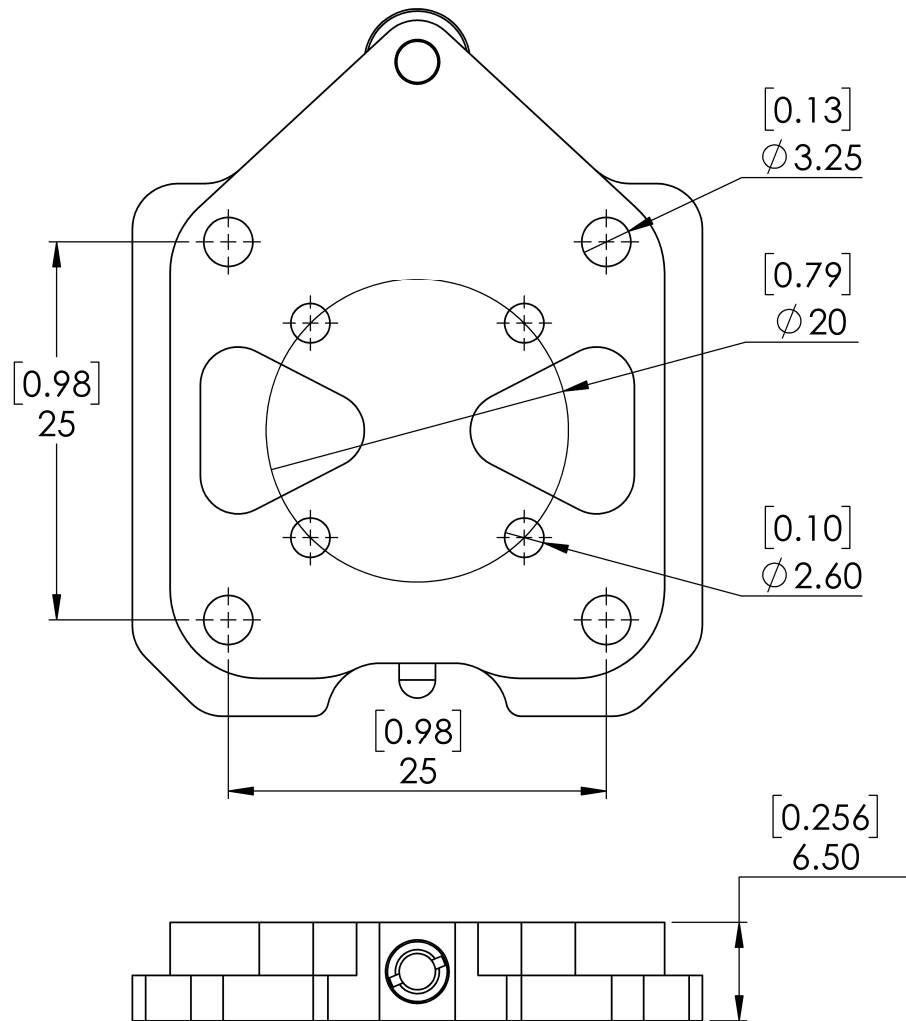



REV.	DESCRIPTION	DATE
A	Release to Production	1/12/2023



**NOTES:**

The 3D model is the governing document. All tolerances are  $\pm 0.20\text{mm}$  unless otherwise specified by this document.

 <b>Vision Aerial</b>		DESCRIPTION:	
<small>THE INFORMATION CONTAINED IN THIS DRAWING IS THE SOLE PROPERTY OF VISION AERIAL, INC. ANY REPRODUCTION IN PART OR AS A WHOLE WITHOUT THE WRITTEN PERMISSION OF VISION AERIAL, INC IS PROHIBITED.</small>		<b>Assy, Insert, PCS</b>	
		<small>UNLESS OTHERWISE SPECIFIED:          BEND: <math>\pm 1.0^\circ</math>          MACH: X.X - <math>\pm 0.30\text{mm}</math>          X.XX - <math>\pm 0.20\text{mm}</math>          X.XXX - <math>\pm 0.10\text{mm}</math></small>	PART NUMBER:
<small>DO NOT SCALE DRAWING</small>	-	<b>A</b>	
DRAWN BY:	SIZE:	MATERIAL: <b>6061-T6 Al Anodized Black</b>	SCALE: 1:1
N. Austin	(A) 8.5in x 11in	WEIGHT: <b>18.5g</b>	<b>SHEET 1 of 1</b>