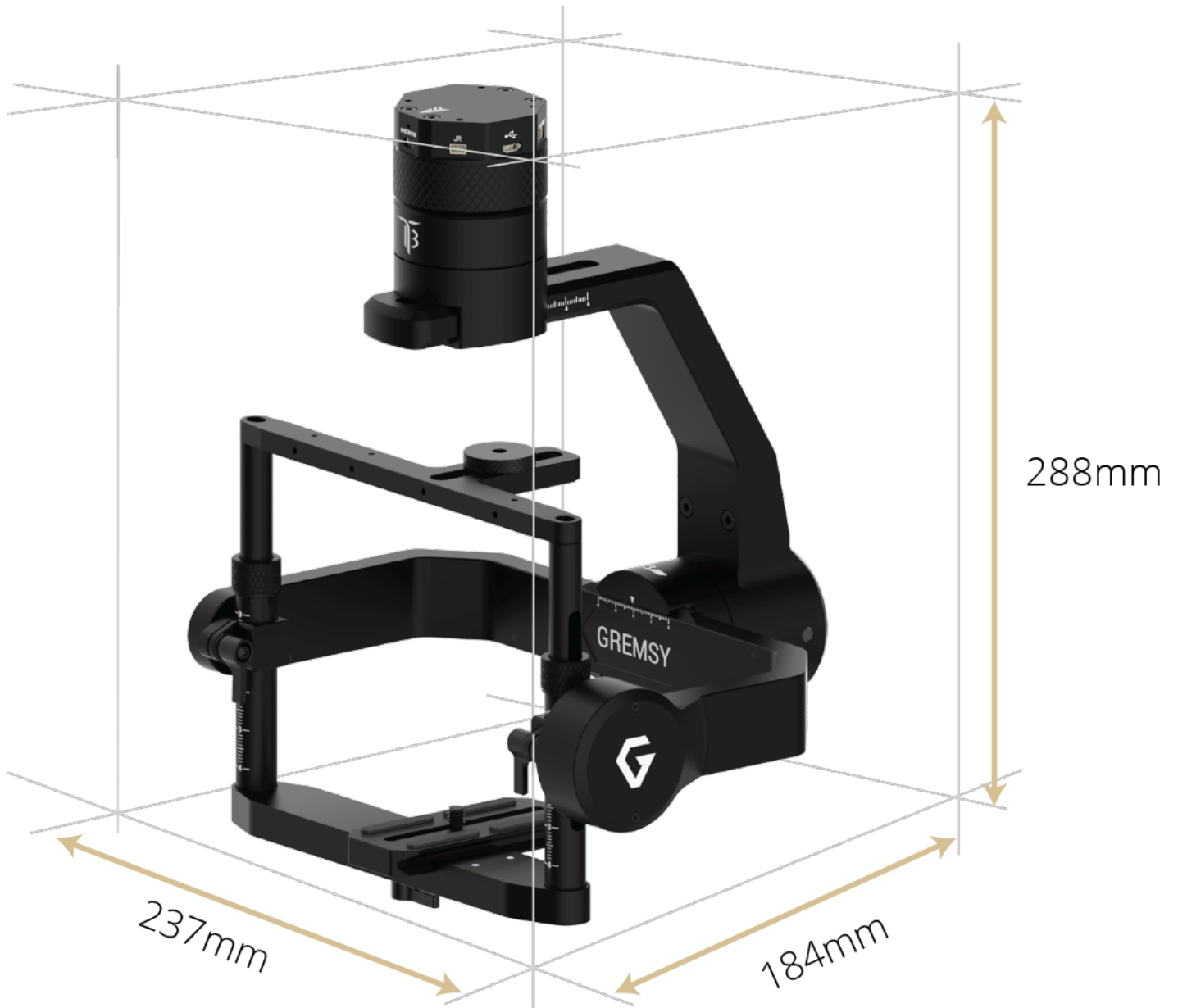


DIMENSIONS & CAMERA CAGE





CAMERA COMPATIBILITY



Wiris



Pentax

Subscribe To Our Newsletter



Nikon D810, D800, D500

(/)



Panasonic GH3, GH4, GH5



Sony A6000, A6300, A6500



Sony A7S (mk I - II)



Sony A7r (mk I - IV)



Sony A9 (mkl - II)



Phase One IXM50/100



UMC-S3CA



FUJIFILM X-T

GENERAL

Built-In Functions

1. Operation Modes
 - Motor ON/OFF
 - Lock mode
 - Follow mode / Mapping mode
 - Inverted mode
2. Temperature Sensor
3. Gremsy Specialized Gimbal Drive Motors with Encoders
4. Micro USB Connection
5. Gremsy Advanced 32-Bit high performance ARM microprocessor
6. S-Bus/Spektrum/PPM Receiver Supported

MECHANICAL & ELECTRICAL CHARACTERISTICS

Working Current

Static current: 300mA/14.5V

Dynamic current: 600mA/14.5V

[Subscribe To Our Newsletter](#)

Locked motor current: 3.5A/14.5V
(/)

STORE (ONLINE-
STORE)    (2) 

Operating Temperature

32° F ~ 120° F (0° C ~ 50° C)

Weight

2.65 lb (1200 g)

Gimbal Dimension

237(W) x 184(D) x 288(H)

PERIPHERAL

Camera Tray Dimensions

Maximum depth from the center of gravity on camera base plate: 100mm

Maximum height measured from top of camera base plate: 120mm

Maximum width: 152mm

Input Power

15-52V

Connections

USB 2.0, CAN, UART, S-bus, Spektrum, PPM, Bluetooth

PC Assistant Software Requirements

Windows XP or above; Mac OS X 10.9 or above

Mobile Assistant Software Requirements

iOS 7.1 or above; Android 4.3 or above

WORKING PERFORMANCE

Maximum Payload

3.7 lbs (1700 g)

Angular Vibration Range

± 0.02°

Maximum Controlled Rotation Speed

[Subscribe To Our Newsletter](#)

Pan axis: 180°/s

(/)

STORE (ONLINE-STORE)



(2)



Tilt axis: 180°/s

Roll axis: 180°/s

Mechanical Endpoint Range

Pan axis control: ±345°

Tilt axis control: ±150°

Roll axis control: +80° to -264°

Controlled Rotation Range

Pan axis control: ±345°

Tilt axis control: ±120°

Roll axis control: ± 45°

CONTACT INFO

Address: No. 22 Street No.18, Linh Dong Ward, Thu Duc District, Ho Chi Minh City, Viet Nam

 Tel: +1 (650) 690 7495
(+84-28) 37 205 221

Email: contact@gremsy.com

GREMSYAbout us (<https://gremsy.com:443/about-us-2>)Dealer (<https://gremsy.com:443/dealer/north-america>)Online store (<https://gremsy.com:443/online-store>)**PRODUCTS**Pixy U (<https://gremsy.com:443/products/pixy-u>)Pixy F (<https://gremsy.com:443/products/pixy-f>)Gremsy S1 (<https://gremsy.com:443/products/gremsy-s1v3>)Gremsy T3 (<https://gremsy.com:443/products/gremsy-t3v3>)Gremsy T7 (<https://gremsy.com:443/products/gremsy-t7>)Gremsy H16 (<https://gremsy.com:443/products/gremsy-h16>)Cinerigs (<https://gremsy.com:443/products/cinerigs>)**SUPPORT**Product Support (<https://gremsy.com:443/support/product-support>)Help Purchasing (<https://gremsy.com:443/support/help-purchasing/account-management>)After-sales Policies (<https://gremsy.com:443/support/after-sales-policies>)**COMMUNITY**User Group (<https://www.facebook.com/groups/gstabigimbal/>)Forum (<https://support.gremsy.com/support/home>)**SUBSCRIBE TO OUR NEWSLETTER**


Enter your email address to receive our news, special offers, product...

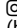
Email address


Subscribe To Our Newsletter

CONNECT WITH US

STORE (ONLINE-STORE)    

 <https://www.facebook.com/Gremsy>

 <https://www.instagram.com/gremsytech/>

 <https://www.youtube.com/c/GremsygStabi>

 <https://twitter.com/Gremsy>



Copyright © 2020 Gremsy. All rights reserved.

[Subscribe To Our Newsletter](#)