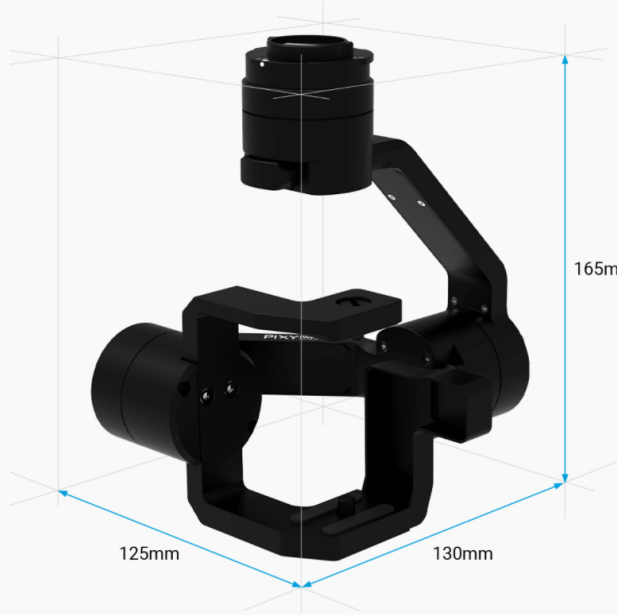




DIMENSIONS & CAMERA CAGE



CAMERA COMPATIBILITY



Workswell Wiris Pro



Workswell Wiris Agro R

GENERAL

Built-In Functions

1. Operation Modes
 - o Motor ON/OFF
 - o Lock mode
 - o Follow mode / Mapping mode

2. Temperature Sensor

3. Gremsy Specialized Gimbal Drive Motors with Encoders

4. Micro USB Connection

5. Gremsy Advanced 32-Bit high performance ARM microprocessor

6. S-Bus/Spektrum/PPM Receiver Supported

MECHANICAL & ELECTRICAL CHARACTERISTICS

Working Current

Static current: 400mA (@12V)

Dynamic current: 800mA (@12V)

Locked motor current: Max 4.0A (@12V)

Operating Temperature	5° F ~ 120° F (-15° C ~ 50° C)
-----------------------	--------------------------------

Weight	1 lb (0.446 kg)
--------	-----------------

Gimbal Dimension	125(W) x 130(D) x 165(H)
------------------	--------------------------

PERIPHERAL

Camera Tray Dimensions	Maximum depth from the center of gravity on camera base plate: 38.4mm
------------------------	---

	Maximum height measured from top of camera base plate: 64mm
--	---

	Maximum width: 85.7mm
--	-----------------------

Input Power	12V_5A, UBEC
-------------	--------------

Connections	USB 2.0, CAN, UART, S-bus, Spektrum, PPM, Bluetooth
-------------	---

PC Assistant Software Requirements	Windows XP or above; Mac OS X 10.9 or above
------------------------------------	---

Mobile Assistant Software Requirements	iOS 7.1 or above; Android 4.3 or above
--	--

WORKING PERFORMANCE

Payload	Wiris Pro, Wiris Agro R
---------	-------------------------

Angular Vibration Range	± 0.02°
-------------------------	---------

Maximum Controlled Rotation Speed	Pan axis: 100°/s
-----------------------------------	------------------

	Tilt axis: 100°/s
--	-------------------

	Roll axis: 100°/s
--	-------------------

Mechanical Endpoint Range	Pan axis control: +330° to -330°
---------------------------	----------------------------------

	Tilt axis control: +135° to -45°
--	----------------------------------

	Roll axis control: +45° to -90°
--	---------------------------------

Controlled Rotation Range	Pan axis control: +330° to -330°
---------------------------	----------------------------------

	Tilt axis control: +135° to -45°
--	----------------------------------

	Roll axis control: ± 45°
--	--------------------------