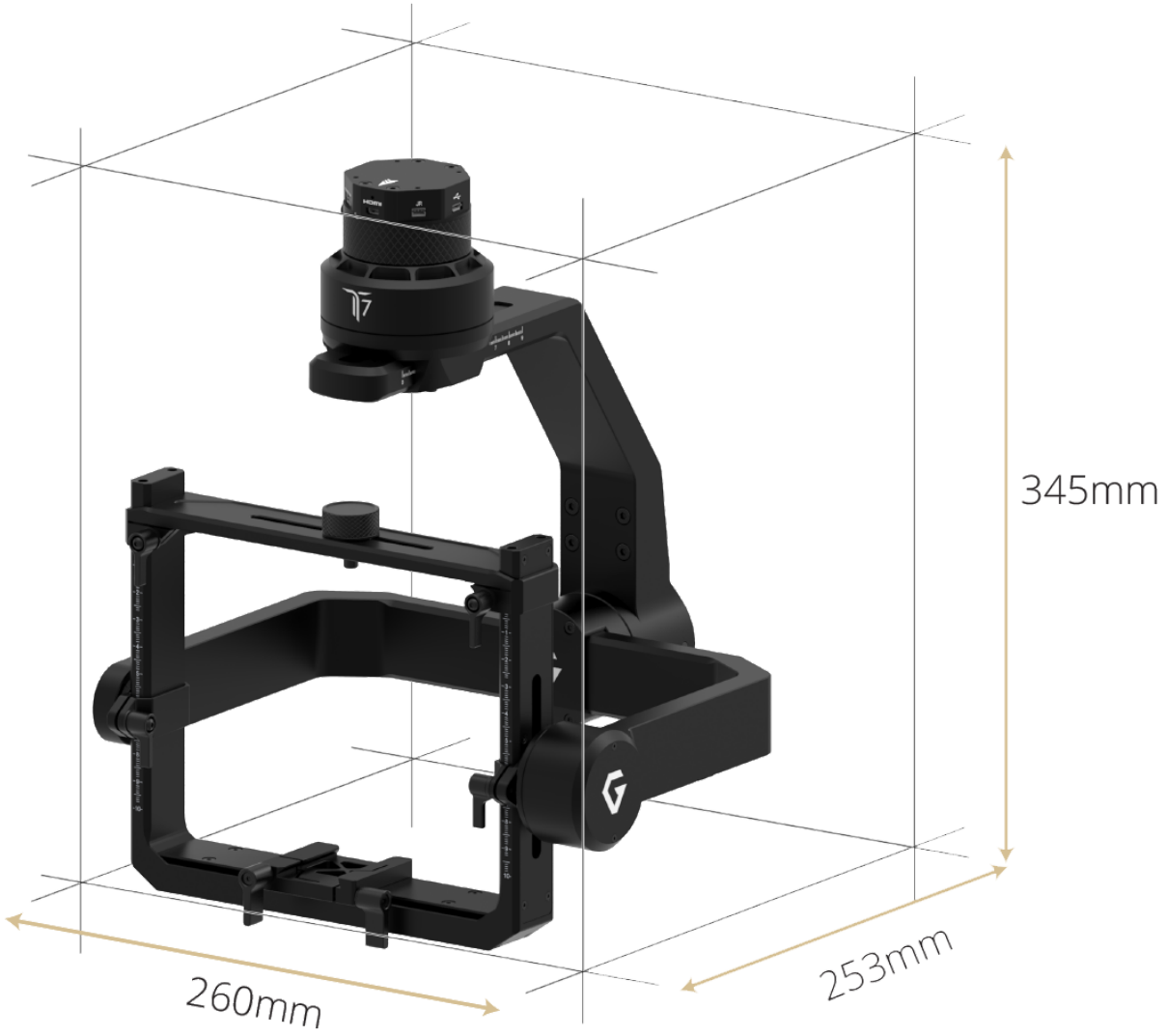


DIMENSIONS & CAMERA CAGE





CAMERA COMPATIBILITY



Phase One iXM50/100



Phase One iXM-RS150F/ iXM-RS100F (except lens 300mm)



Corocam 8 UAV



Specim AFX10/17



Workswell Wiris GIS 320



Senop HSC-2 Hyperspectral

GENERAL

Built-In Functions

1. Operation Modes
 - Motor ON/OFF
 - Lock mode
 - Follow mode / Mapping mode
 - Inverted mode

2. Temperature Sensor

3. Gremsy Specialized Gimbal Drive Motors with Encoders

4. Micro USB Connection

5. Gremsy Advanced 32-Bit high performance ARM microprocessor

6. S-Bus/Spektrum/PPM Receiver Supported

MECHANICAL & ELECTRICAL CHARACTERISTICS

Working Current

Static current: 300mA/14.5V

Dynamic current: 600mA/14.5V

Locked motor current: 4A/15.5V

Operating Temperature

32° F ~ 122° F (0° C ~ 50° C)

Weight

4 lbs (1860 g)

Gimbal Dimension

260(W) x 253(D) x 345(H)

PERIPHERAL

Camera Tray Dimensions

Maximum depth from the center of gravity on camera base plate: 150mm

Maximum height measured from top of camera base plate: 130mm (up To 170mm with extension bar)

Maximum width: 180mm

Input Power

15-52V

Subscribe To Our Newsletter

Connections (1)

STORE (/ONLINE-STORE)    (0) 

USB 2.0, CAN, UART, S-bus, Spektrum, PPM, Bluetooth

PC Assistant Software Requirements

Windows XP or above; Mac OS X 10.9 or above

Mobile Assistant Software Requirements

iOS 7.1 or above; Android 4.3 or above

WORKING PERFORMANCE**Maximum Payload**

7 lbs (3175 g)

Angular Vibration Range

± 0.02°

Maximum Controlled Rotation Speed

Pan axis: 180°/s

Tilt axis: 180°/s

Roll axis: 180°/s

Mechanical Endpoint Range

Pan axis control: ±345°

Tilt axis control: ±150°




Roll axis control: +80° to -264°

Controlled Rotation Range

Pan axis control: ±300°

Tilt axis control: ±120°

Roll axis control: ± 45°

CONTACT INFO Address: 152-154 Street No. 02, Van Phuc Residential City, Hiep Binh Phuoc Ward, Thu Duc City, Ho Chi Minh City, Vietnam Tel: (+84-28) 37 205 221 Email: contact@gremsy.com**PRODUCTS**[Pixy U \(https://gremsy.com:443/products/pixy-u\)](https://gremsy.com:443/products/pixy-u)[Pixy F \(https://gremsy.com:443/products/pixy-f\)](https://gremsy.com:443/products/pixy-f)[Gremsy S1 \(https://gremsy.com:443/products/gremsy-s1v3\)](https://gremsy.com:443/products/gremsy-s1v3)[Gremsy T3 \(https://gremsy.com:443/products/gremsy-t3v3\)](https://gremsy.com:443/products/gremsy-t3v3)[Gremsy T7 \(https://gremsy.com:443/products/gremsy-t7\)](https://gremsy.com:443/products/gremsy-t7)[Gremsy H16 \(https://gremsy.com:443/products/gremsy-h16\)](https://gremsy.com:443/products/gremsy-h16)[Mio \(https://gremsy.com:443/products/mio\)](https://gremsy.com:443/products/mio)[gPORT \(https://gremsy.com/products/gport\)](https://gremsy.com/products/gport)[Phaseone-kit \(https://gremsy.com/gremsy-integration-kit-for-phaseone-m600\)](https://gremsy.com/gremsy-integration-kit-for-phaseone-m600)[Cinerigs \(https://gremsy.com:443/products/cinerigs\)](https://gremsy.com:443/products/cinerigs)**SUBSCRIBE TO OUR NEWSLETTER**

Enter your email address to receive our news, special offers, product...

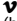
GREMSY[About us \(https://gremsy.com:443/about-us-2\)](https://gremsy.com:443/about-us-2)[Dealer \(https://gremsy.com:443/dealer\)](https://gremsy.com:443/dealer)[Online store \(https://gremsy.com:443/online-store\)](https://gremsy.com:443/online-store)**SUPPORT**[Product Support \(https://gremsy.com:443/support/product-support\)](https://gremsy.com:443/support/product-support)[Help Purchasing \(https://gremsy.com:443/support/help-purchasing/account-management\)](https://gremsy.com:443/support/help-purchasing/account-management)[After-sales Policies \(https://gremsy.com:443/support/after-sales-policies\)](https://gremsy.com:443/support/after-sales-policies)**COMMUNITY**[User Group \(https://www.facebook.com/groups/gstabigimbal/\)](https://www.facebook.com/groups/gstabigimbal/)[Forum \(https://support.gremsy.com/support/home\)](https://support.gremsy.com/support/home)[Subscribe To Our Newsletter](#)

Email address
(/)



STORE (/ONLINE-STORE)    (0) 

CONNECT WITH US

-  (<https://www.facebook.com/Gremsy>)
-  (<https://www.instagram.com/gremsytech/>)
-  (<https://www.youtube.com/c/GremsygStabi>)
-  (<https://twitter.com/GremsyTech>)
-  (<https://vimeo.com/gremsytech>)



Copyright © 2020 - 2021 Gremsy. All rights reserved.